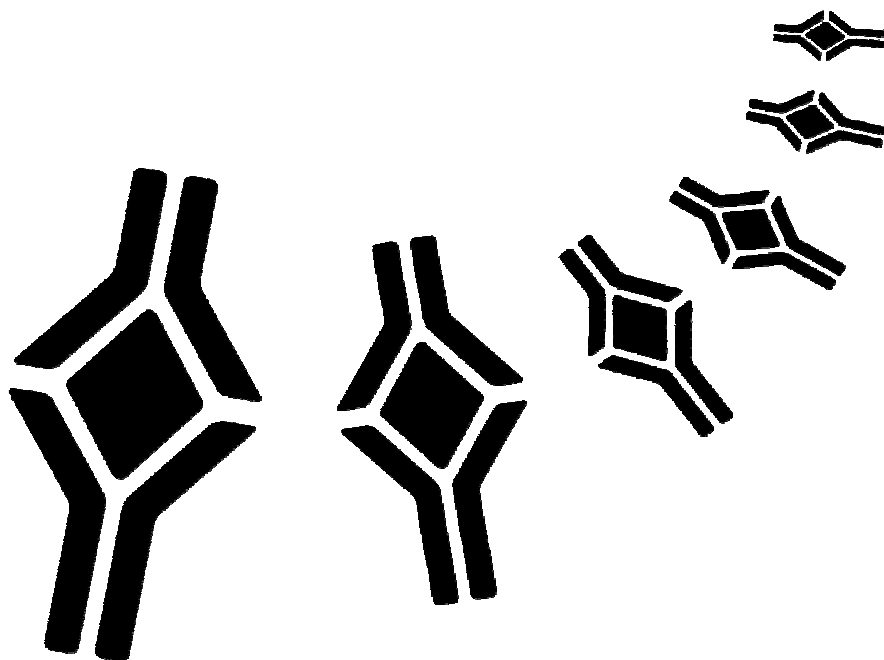


BioVendor

Research
and Diagnostic Products



HUMAN INTERLEUKIN – 10 ELISA

Product Data Sheet

Cat. No.: RBMS215/2R

For Research Use Only

CONTENTS

1	INTENDED USE	3
2	SUMMARY	3
3	PRINCIPLES OF THE TEST	4
4	REAGENTS PROVIDED	5
5	STORAGE INSTRUCTIONS – ELISA KIT	5
6	SPECIMEN COLLECTION AND STORAGE INSTRUCTIONS	6
7	MATERIALS REQUIRED BUT NOT PROVIDED	6
8	PRECAUTIONS FOR USE	7
9	PREPARATION OF REAGENTS	8
10	TEST PROTOCOL	11
11	CALCULATION OF RESULTS	13
12	LIMITATIONS	16
13	PERFORMANCE CHARACTERISTICS	16
14	REAGENT PREPARATION SUMMARY	20
15	TEST PROTOCOL SUMMARY	21

➤➤ This kit is manufactured by:
BioVendor – Laboratorní medicína, a.s.

➤➤ Use only the current version of Product Data Sheet enclosed with the kit!

1 INTENDED USE

The human IL-10 ELISA is an enzyme-linked immunosorbent assay for the quantitative detection of human IL-10. **The human IL-10 ELISA is for in vitro diagnostic use. Not for use in therapeutic procedures.**

2 SUMMARY

Interleukin-10 is a pleiotropic cytokine playing an important role as a regulator of lymphoid and myeloid cell function. Due to the ability of IL-10 to block cytokine synthesis and several accessory cell functions of macrophages this cytokine is a potent suppressor of the effector functions of macrophages, T-cells and NK cells. In addition, IL-10 participates in regulating proliferation and differentiation of B-cells, mast cells and thymocytes.

The primary structure of human IL-10 has been determined by cloning the cDNA encoding the cytokine. The corresponding protein exerts 160 amino acids with a predicted molecular mass of 18.5 kDa. Based on its primary structure, IL-10 is a member of the four α -helix bundle family of cytokines. In solution human IL-10 is a homodimer with an apparent molecular mass of 39 kDa. Although it contains an N-linked glycosylation site, it lacks detectable carbohydrates. Recombinant protein expressed in *E. coli* thus retains all known biological activities. The human IL-10 gene is located on chromosome 1 and is present as a single copy in the genome. The human IL-10 exhibits strong DNA and amino acid sequence homology to the murine IL-10 and an open reading frame in the Epstein-Barr virus genome, BCRF1 which shares many of the cellular cytokine's biological activities and may therefore play a role in the host-virus interaction.

The immunosuppressive properties of IL-10 suggest a possible clinical use of IL-10 in suppressing rejections of grafts after organ transplantations. IL-10 can furthermore exert strong anti-inflammatory activities.

IL-10 in disease:

IL-10 expression was shown to be elevated in parasite infections like in *Schistosoma mansoni*, *Leishmania*, *Toxoplasma gondii* and *Trypanosoma* infection.

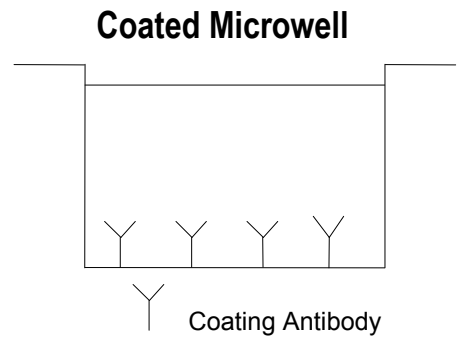
Furthermore, high IL-10 expression was detected in mycobacterial infections as shown for *Mycobacterium leprae*, *Mycobacterium tuberculosis* and *Mycobacterium avium* infections.

High expression levels of IL-10 are also found in retroviral infections inducing immunodeficiency.

3 PRINCIPLES OF THE TEST

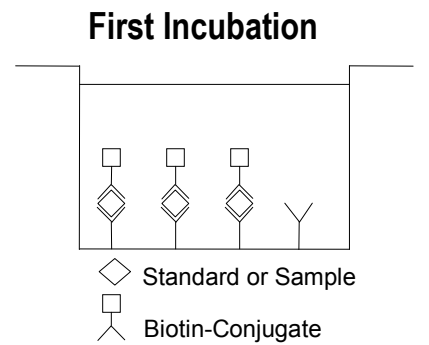
An anti-human IL-10 coating antibody is adsorbed onto microwells.

Figure 1



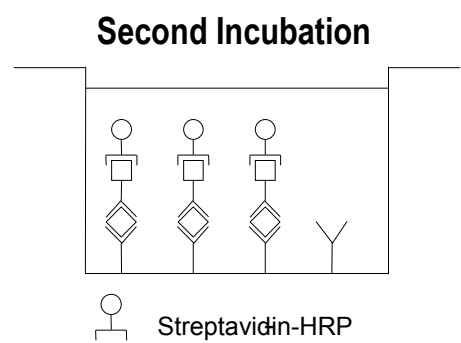
Human IL-10 present in the sample or standard binds to antibodies adsorbed to the microwells. A biotin-conjugated anti-human IL-10 antibody is added and binds to human IL-10 captured by the first antibody.

Figure 2



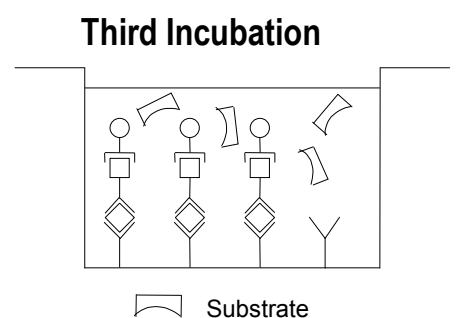
Following incubation unbound biotin-conjugated anti-human IL-10 antibody is removed during a wash step. Streptavidin-HRP is added and binds to the biotin-conjugated anti-human IL-10 antibody.

Figure 3



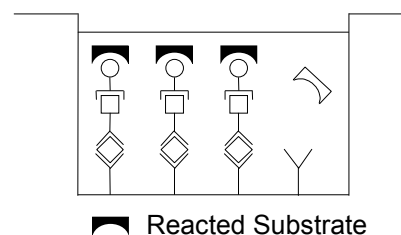
Following incubation unbound Streptavidin-HRP is removed during a wash step, and substrate solution reactive with HRP is added to the wells.

Figure 4



A coloured product is formed in proportion to the amount of human IL-10 present in the sample or standard. The reaction is terminated by addition of acid and absorbance is measured at 450 nm. A standard curve is prepared from 7 human IL-10 standard dilutions and human IL-10 sample concentration determined.

Figure 5



4 REAGENTS PROVIDED

- 1 aluminium pouch with a **Antibody Coated Microtiter Strips** with monoclonal antibody to human IL-10
- 1 vial (100 µl) **Biotin-Conjugate** anti-human IL-10 monoclonal antibody
- 1 vial (150 µl) **Streptavidin-HRP**
- 2 vials human IL-10 **Standard** lyophilized, 400 pg/ml upon reconstitution
- 1 vial **Control**, lyophilized
- 1 vial (5 ml) **Assay Buffer Concentrate** 20x (PBS with 1% Tween 20 and 10% BSA)
- 1 bottle (50 ml) **Wash Buffer Concentrate** 20x (PBS with 1% Tween 20)
- 1 vial (15 ml) **Substrate Solution** (tetramethyl-benzidine)
- 1 vial (15 ml) **Stop Solution** (1M Phosphoric acid)
- 1 vial (0.4 ml) **Blue-Dye**
- 1 vial (0.4 ml) **Green-Dye**
- 1 vial (0.4 ml) **Red-Dye**
- 4 **Adhesive Films**

5 STORAGE INSTRUCTIONS – ELISA KIT

Store kit reagents between 2° and 8°C except control. Store lyophilized control at -20°C. Immediately after use remaining reagents should be returned to cold storage (2° to 8°C), control to -20°C, respectively. Expiry of the kit and reagents is stated on labels.

Expiry of the kit components can only be guaranteed if the components are stored properly, and if, in case of repeated use of one component, this reagent is not contaminated by the first handling.

6 SPECIMEN COLLECTION AND STORAGE INSTRUCTIONS

Cell culture supernatant, serum and plasma (citrate, heparin) were tested with this assay. Other biological samples might be suitable for use in the assay. Remove serum or plasma from the clot or cells as soon as possible after clotting and separation.

Samples containing a visible precipitate must be clarified prior to use in the assay. Do not use grossly hemolyzed or lipemic specimens.

Samples should be aliquoted and must be stored frozen at -20°C to avoid loss of bioactive human IL-10. If samples are to be run within 24 hours, they may be stored at 2° to 8°C (for sample stability refer to 13.5).

Avoid repeated freeze-thaw cycles. Prior to assay, the frozen sample should be brought to room temperature slowly and mixed gently.

7 MATERIALS REQUIRED BUT NOT PROVIDED

- 5 ml and 10 ml graduated pipettes
- 5 µl to 1000 µl adjustable single channel micropipettes with disposable tips
- 50 µl to 300 µl adjustable multichannel micropipette with disposable tips
- Multichannel micropipette reservoir
- Beakers, flasks, cylinders necessary for preparation of reagents
- Device for delivery of wash solution (multichannel wash bottle or automatic wash system)
- Microwell strip reader capable of reading at 450 nm (620 nm as optional reference wave length)
- Glass-distilled or deionized water
- Statistical calculator with program to perform regression analysis

8 PRECAUTIONS FOR USE

- All chemicals should be considered as potentially hazardous. We therefore recommend that this product is handled only by those persons who have been trained in laboratory techniques and that it is used in accordance with the principles of good laboratory practice. Wear suitable protective clothing such as laboratory overalls, safety glasses and gloves. Care should be taken to avoid contact with skin or eyes. In the case of contact with skin or eyes wash immediately with water. See material safety data sheet(s) and/or safety statement(s) for specific advice.
- Reagents are intended for in vitro diagnostic use and are not for use in therapeutic procedures.
- Do not mix or substitute reagents with those from other lots or other sources.
- Do not use kit reagents beyond expiration date on label.
- Do not expose kit reagents to strong light during storage or incubation.
- Do not pipette by mouth.
- Do not eat or smoke in areas where kit reagents or samples are handled.
- Avoid contact of skin or mucous membranes with kit reagents or specimens.
- Rubber or disposable latex gloves should be worn while handling kit reagents or specimens.
- Avoid contact of substrate solution with oxidizing agents and metal.
- Avoid splashing or generation of aerosols.
- In order to avoid microbial contamination or cross-contamination of reagents or specimens which may invalidate the test use disposable pipette tips and/or pipettes.
- Use clean, dedicated reagent trays for dispensing the conjugate and substrate reagent.
- Exposure to acid inactivates the conjugate.
- Glass-distilled water or deionized water must be used for reagent preparation.
- Substrate solution must be at room temperature prior to use.
- Decontaminate and dispose specimens and all potentially contaminated materials as they could contain infectious agents. The preferred method of decontamination is autoclaving for a minimum of 1 hour at 121.5°C.
- Liquid wastes not containing acid and neutralized waste may be mixed with sodium hypochlorite in volumes such that the final mixture contains 1.0% sodium hypochlorite. Allow 30 minutes for effective decontamination. Liquid waste containing acid must be neutralized prior to the addition of sodium hypochlorite.

9 PREPARATION OF REAGENTS

Buffer concentrates should be brought to room temperature and should be diluted before starting the test procedure.

If crystals have formed in the **Buffer Concentrates**, warm them gently until they have completely dissolved.

9.1 Wash Buffer (1x)

Pour entire contents (50 ml) of the **Wash Buffer Concentrate** (20x) into a clean 1000 ml graduated cylinder. Bring to final volume of 1000 ml with glass-distilled or deionized water. Mix gently to avoid foaming. The pH of the final solution should adjust to 7.4.

Transfer to a clean wash bottle and store at 2° to 25°C. Please note that Wash Buffer (1x) is stable for 30 days.

Wash Buffer (1x) may also be prepared as needed according to the following table:

Number of Strips	Wash Buffer Concentrate (20x) (ml)	Distilled Water (ml)
1 - 6	25	475
1 - 12	50	950

9.2 Assay Buffer (1x)

Pour the entire contents (5 ml) of the **Assay Buffer Concentrate** (20x) into a clean 100 ml graduated cylinder. Bring to final volume of 100 ml with distilled water. Mix gently to avoid foaming.

Store at 2° to 8°C. Please note that the Assay Buffer (1x) is stable for 30 days.

Assay Buffer (1x) may also be prepared as needed according to the following table:

Number of Strips	Assay Buffer Concentrate (20x) (ml)	Distilled Water (ml)
1 - 6	2.5	47.5
1 - 12	5.0	95.0

9.3 Biotin-Conjugate

Please note that the Biotin-Conjugate should be used within 30 minutes after dilution.

Make a 1:100 dilution of the concentrated **Biotin-Conjugate** solution with Assay Buffer (1x) in a clean plastic tube as needed according to the following table:

Number of Strips	Biotin-Conjugate (ml)	Assay Buffer (1x) (ml)
1 - 6	0.03	2.97
1 - 12	0.06	5.94

9.4 Streptavidin-HRP

Please note that the Streptavidin-HRP should be used within 30 minutes after dilution.

Make a 1:100 dilution of the concentrated Streptavidin-HRP solution with Assay Buffer (1x) in a clean plastic tube as needed according to the following table:

Number of Strips	Streptavidin-HRP (ml)	Assay Buffer (1x) (ml)
1 - 6	0.06	5.94
1 - 12	0.12	11.88

9.5 Human IL-10 Standard

Reconstitute human IL-10 standard by addition of distilled water.

Reconstitution volume is stated on the label of the standard vial. Swirl or mix gently to insure complete and homogeneous solubilisation (concentration of reconstituted standard = 400 pg/ml). Allow the standard to reconstitute for 10-30 minutes. Mix well prior to making dilutions.

After usage remaining standard cannot be stored and has to be discarded.

Standard dilutions can be prepared directly on the microwell plate (see 10.c) or alternatively in tubes (see 9.5.1).

9.5.1 External Standard Dilution

Label 7 tubes, one for each standard point.

S1, S2, S3, S4, S5, S6, S7

Then prepare 1:2 serial dilutions for the standard curve as follows:

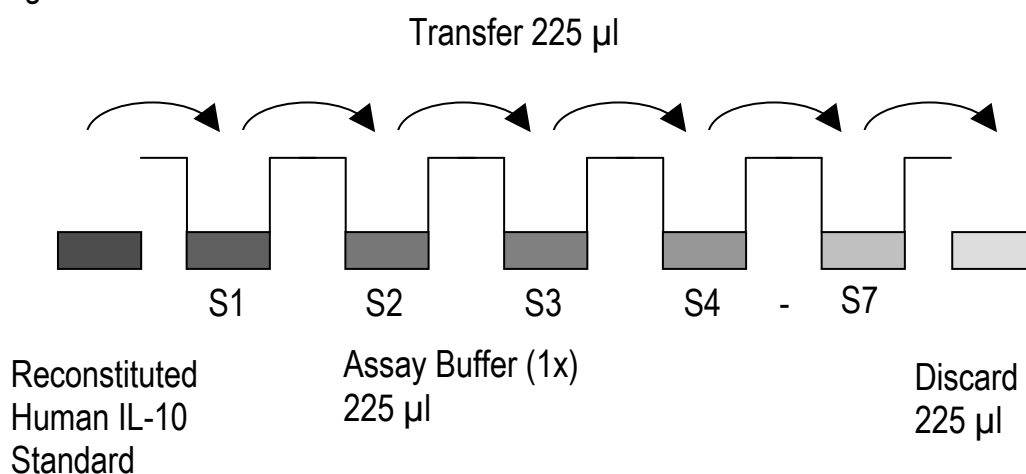
Pipette 225 µl of Assay Buffer (1x) into each tube.

Pipette 225 µl of reconstituted standard (concentration = 400 pg/ml) into the first tube, labelled S1, and mix (concentration of standard 1 = 200 pg/ml).

Pipette 225 µl of this dilution into the second tube, labelled S2, and mix thoroughly before the next transfer. Repeat serial dilutions 5 more times thus creating the points of the standard curve (see Figure 6).

Assay Buffer (1x) serves as blank.

Figure 6



9.6 Control

Reconstitute by adding 300 µl distilled water to lyophilized **control** (10-30 minutes). Swirl or mix gently to ensure complete and homogeneous solubilization. Further treat the control like your samples in the assay. For control range please refer to certificate of analysis or vial label. Store reconstituted control aliquoted at -20°C. Avoid repeated freeze and thaw cycles.

9.7 Addition of Colour-giving Reagents: Blue-Dye, Green-Dye, Red-Dye

This procedure is optional, does not in any way interfere with the test results, and is designed to help the customer with the performance of the test, but can also be omitted, just following the instruction booklet.

Alternatively, the dye solutions from the stocks provided (**Blue-Dye, Green-Dye, Red-Dye**) can be added to the reagents according to the following guidelines:

1. Diluent: Before standard and sample dilution add the **Blue-Dye** at a dilution of 1:250 (see table below) to the appropriate diluent (1x) according to the test protocol. After addition of **Blue-Dye**, proceed according to the instruction booklet.

5 ml Assay Buffer (1x)	20 µl Blue-Dye
12 ml Assay Buffer (1x)	48 µl Blue-Dye
50 ml Assay Buffer (1x)	200 µl Blue-Dye

2. Biotin-Conjugate: Before dilution of the concentrated Biotin-Conjugate, add the **Green-Dye** at a dilution of 1:100 (see table below) to the Assay Buffer (1x) used for the final conjugate dilution. Proceed after addition of **Green-Dye** according to the instruction booklet: Preparation of Biotin-Conjugate.

3 ml Assay Buffer (1x)	30 µl Green-Dye
6 ml Assay Buffer (1x)	60 µl Green-Dye

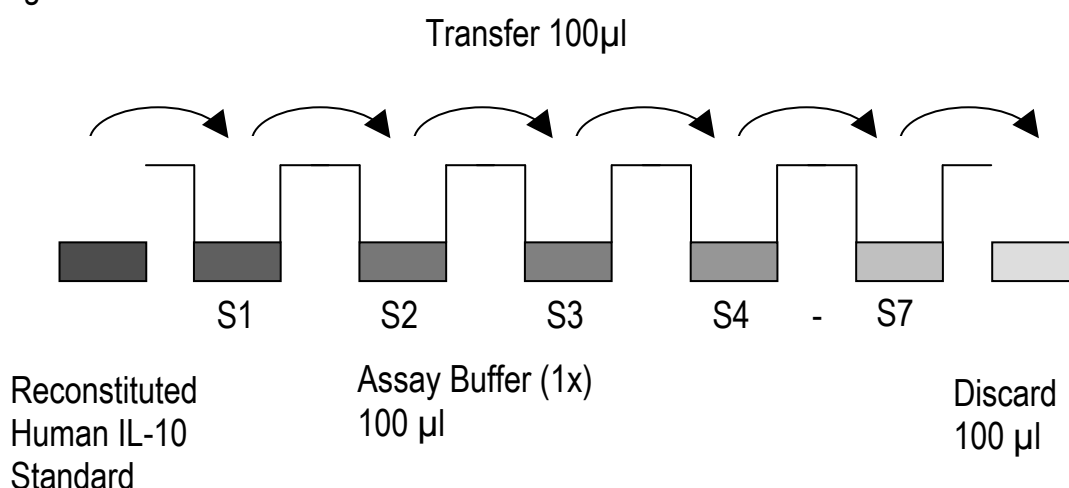
3. Streptavidin-HRP: Before dilution of the concentrated Streptavidin-HRP, add the **Red-Dye** at a dilution of 1:250 (see table below) to the Assay Buffer (1x) used for the final Streptavidin-HRP dilution. Proceed after addition of **Red-Dye** according to the instruction booklet: Preparation of Streptavidin-HRP.

6 ml Assay Buffer (1x)	24 µl Red-Dye
12 ml Assay Buffer (1x)	48 µl Red-Dye

10 TEST PROTOCOL

- a. Determine the number of microwell strips required to test the desired number of samples plus appropriate number of wells needed for running blanks and standards. Each sample, standard, blank and optional control sample should be assayed in duplicate. Remove extra microwell strips from holder and store in foil bag with the desiccant provided at 2°-8°C sealed tightly.
- b. Wash the microwell strips twice with approximately 400 µl **Wash Buffer** per well with thorough aspiration of microwell contents between washes. Allow the Wash Buffer to sit in the wells for about **10 – 15 seconds** before aspiration. Take care not to scratch the surface of the microwells. After the last wash step, empty wells and tap microwell strips on absorbent pad or paper towel to remove excess Wash Buffer. Use the microwell strips immediately after washing. Alternatively microwell strips can be placed upside down on a wet absorbent paper for not longer than 15 minutes. **Do not allow wells to dry.**
- c. **Standard dilution on the microwell plate** (Alternatively the standard dilution can be prepared in tubes - see 9.5.1): Add 100 µl of Assay Buffer (1x) in duplicate to all **standard**. Pipette 100 µl of prepared **standard** (see Preparation of Standard 0, concentration = 400.0 pg/ml) in duplicate into well A1 and A2 (see Table 1). Mix the contents of wells A1 and A2 by repeated aspiration and ejection (concentration of standard 1, S1 = 200.0 pg/ml), and transfer 100 µl to wells B1 and B2, respectively (see Figure 7). Take care not to scratch the inner surface of the microwells. Continue this procedure 5 times, creating two rows of human IL-10 standard dilutions ranging from 200.0 to 3.1 pg/ml. Discard 100 µl of the contents from the last microwells (G1, G2) used.

Figure 7



In case of an **external standard dilution** (see 9.5.1), pipette 100 µl of these standard dilutions (S1 - S7) in the standard wells according to Table 1.

Table 1

Table depicting an example of the arrangement of blanks, standards and samples in the microwell strips:

	1	2	3	4
A	Standard 1 (200.0 pg/ml)	Standard 1 (200.0 pg/ml)	Sample 1	Sample 1
B	Standard 2 (100.0 pg/ml)	Standard 2 (100.0 pg/ml)	Sample 2	Sample 2
C	Standard 3 (50.0 pg/ml)	Standard 3 (50.0 pg/ml)	Sample 3	Sample 3
D	Standard 4 (25.0 pg/ml)	Standard 4 (25.0 pg/ml)	Sample 4	Sample 4
E	Standard 5 (12.5 pg/ml)	Standard 5 (12.5 pg/ml)	Sample 5	Sample 5
F	Standard 6 (6.3 pg/ml)	Standard 6 (6.3 pg/ml)	Sample 6	Sample 6
G	Standard 7 (3.1 pg/ml)	Standard 7 (3.1 pg/ml)	Sample 7	Sample 7
H	Blank	Blank	Sample 8	Sample 8

- d. Add 100 µl of **Assay Buffer (1x)** in duplicate to the **blank wells**.
- e. Add 50 µl of **Assay Buffer (1x)** to the **sample wells**.
- f. Add 50 µl of each **sample** in duplicate to the **sample wells**.
- g. Prepare **Biotin-Conjugate** (see Preparation of Biotin-Conjugate 9.3).
- h. Add 50 µl of **Biotin-Conjugate** to all wells.
- i. Cover with an adhesive film and incubate at room temperature (18 to 25°C) for 2 hours, if available on a microplate shaker set at 100 rpm.
- j. Prepare **Streptavidin-HRP** (refer to Preparation of Streptavidin-HRP 9.4).
- k. Remove adhesive film and empty wells. **Wash** microwell strips 3 times according to point b. of the test protocol. Proceed immediately to the next step.
- l. Add 100 µl of diluted **Streptavidin-HRP** to all wells, including the blank wells.
- m. Cover with an adhesive film and incubate at room temperature (18° to 25°C) for 1 hour, if available on a microplate shaker set at 200 rpm.
- n. Remove adhesive film and empty wells. **Wash** microwell strips 3 times according to point b. of the test protocol. Proceed immediately to the next step.
- o. Pipette 100 µl of **TMB Substrate Solution** to all wells.
- p. Incubate the microwell strips at room temperature (18° to 25°C) for about 10 min. Avoid direct exposure to intense light. **The colour development on the plate should be monitored and the substrate reaction stopped (see next point of this protocol) before positive wells are no longer properly recordable. Determination of the ideal time period for colour development has to be done individually for each assay.** It is recommended to add the stop solution when the highest standard has developed a dark blue colour. Alternatively the colour development can be monitored by the ELISA reader at 620 nm. The substrate reaction should be stopped as soon as Standard 1 has reached an OD of 0.9 – 0.95.

- q. Stop the enzyme reaction by quickly pipetting 100 µl of **Stop Solution** into each well. It is important that the Stop Solution is spread quickly and uniformly throughout the microwells to completely inactivate the enzyme. Results must be read immediately after the Stop Solution is added or within one hour if the microwell strips are stored at 2 - 8°C in the dark.
- r. Read absorbance of each microwell on a spectro-photometer using 450 nm as the primary wave length (optionally 620 nm as the reference wave length; 610 nm to 650 nm is acceptable). Blank the plate reader according to the manufacturer's instructions by using the blank wells. Determine the absorbance of both the samples and the standards.

Note: In case of incubation without shaking the obtained O.D. values may be lower than indicated below. Nevertheless the results are still valid.

11 CALCULATION OF RESULTS

- Calculate the average absorbance values for each set of duplicate standards and samples. Duplicates should be within 20 per cent of the mean value.
- Create a standard curve by plotting the mean absorbance for each standard concentration on the ordinate against the human IL-10 concentration on the abscissa. Draw a best fit curve through the points of the graph (a 5-parameter curve fit is recommended).
- To determine the concentration of circulating human IL-10 for each sample, first find the mean absorbance value on the ordinate and extend a horizontal line to the standard curve. At the point of intersection, extend a vertical line to the abscissa and read the corresponding human IL-10 concentration.
- **If instructions in this protocol have been followed samples have been diluted 1:2 (50 µl sample + 50 µl Assay Buffer (1x)), the concentration read from the standard curve must be multiplied by the dilution factor (x 2).**
- **Calculation of samples with a concentration exceeding standard 1 may result in incorrect, low human IL-10 levels. Such samples require further external predilution according to expected human IL-10 values with Assay Buffer (1x) in order to precisely quantitate the actual human IL-10 level.**
- It is suggested that each testing facility establishes a control sample of known human IL-10 concentration and runs this additional control with each assay. If the values obtained are not within the expected range of the control, the assay results may be invalid.
- A representative standard curve is shown in Figure 8. This curve cannot be used to derive test results. Each laboratory must prepare a standard curve for each group of microwell strips assayed.

Figure 8

Representative standard curve for human IL-10 ELISA. Human IL-10 was diluted in serial 2-fold steps in Assay Buffer (1x). Do not use this standard curve to derive test results. A standard curve must be run for each group of microwell strips assayed.

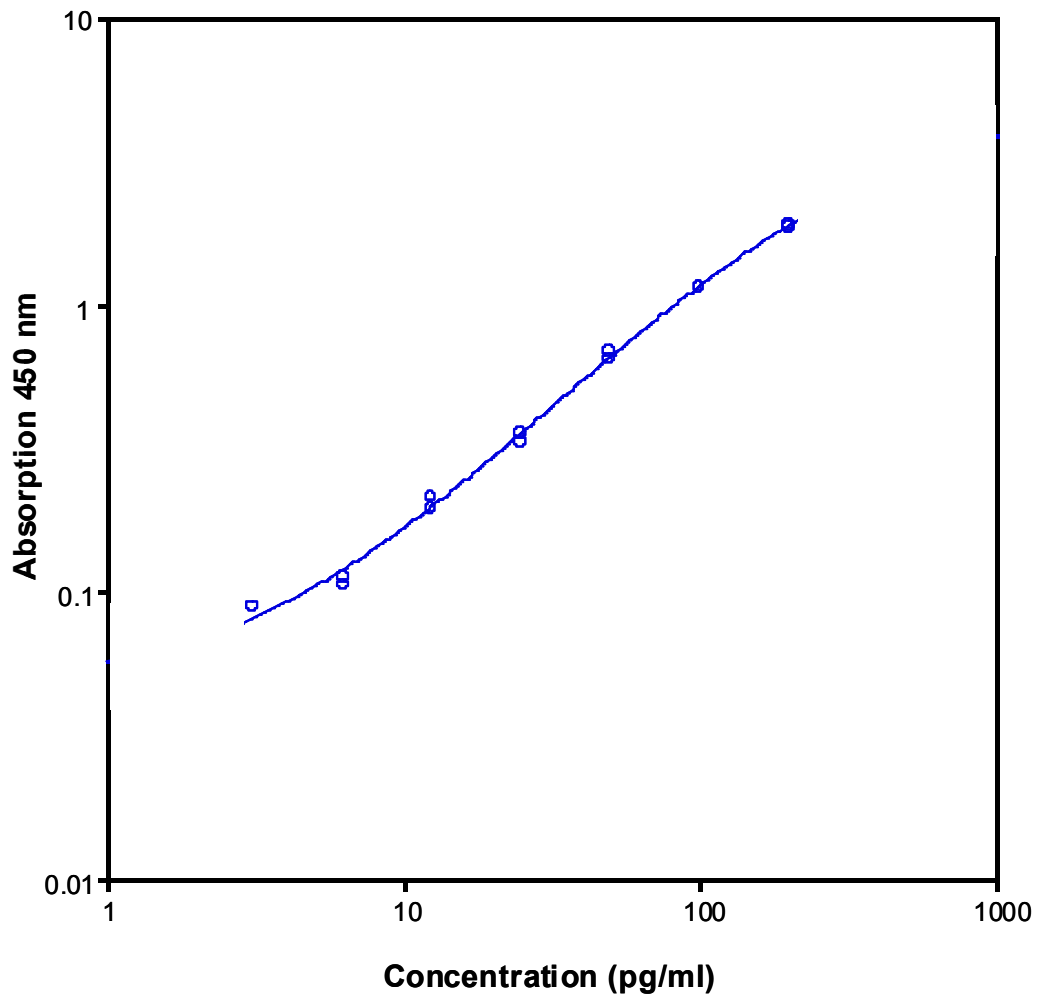


Table 2
 Typical data using the human IL-10 ELISA
 Measuring wavelength: 450 nm
 Reference wavelength: 620 nm

Standard	Human IL-10 Concentration (pg/ml)	O.D. at 450 nm	Mean O.D. at 450 nm	C.V. (%)
1	200.0	1.863 1.894	1.879	0.8
2	100.0	1.157 1.141	1.149	0.7
3	50.0	0.646 0.686	0.666	3.0
4	25.0	0.359 0.330	0.345	4.2
5	12.5	0.193 0.214	0.204	5.2
6	6.3	0.113 0.106	0.110	3.2
7	3.1	0.088 0.088	0.088	0.0
Blank	0	0.019 0.021	0.020	5.0

The OD values of the standard curve may vary according to the conditions of assay performance (e.g. operator, pipetting technique, washing technique or temperature effects). Furthermore shelf life of the kit may affect enzymatic activity and thus colour intensity. Values measured are still valid.

12 LIMITATIONS

- Since exact conditions may vary from assay to assay, a standard curve must be established for every run.
- Bacterial or fungal contamination of either screen samples or reagents or cross-contamination between reagents may cause erroneous results.
- Disposable pipette tips, flasks or glassware are preferred, reusable glassware must be washed and thoroughly rinsed of all detergents before use.
- Improper or insufficient washing at any stage of the procedure will result in either false positive or false negative results. Empty wells completely before dispensing fresh wash solution, fill with Wash Buffer as indicated for each wash cycle and do not allow wells to sit uncovered or dry for extended periods.
- The use of radioimmunotherapy has significantly increased the number of patients with human anti-mouse IgG antibodies (HAMA). HAMA may interfere with assays utilizing murine monoclonal antibodies leading to both false positive and false negative results. Serum samples containing antibodies to murine immunoglobulins can still be analysed in such assays when murine immunoglobulins (serum, ascitic fluid, or monoclonal antibodies of irrelevant specificity) are added to the sample.

13 PERFORMANCE CHARACTERISTICS

13.1 Sensitivity

The limit of detection of human IL-10 defined as the analyte concentration resulting in an absorbance significantly higher than that of the dilution medium (mean plus 2 standard deviations) was determined to be 1.0 pg/ml (mean of 6 independent assays).

13.2 Reproducibility

13.2.1 Intra-assay

Reproducibility within the assay was evaluated in 3 independent experiments. Each assay was carried out with 6 replicates of 5 serum samples containing different concentrations of human IL-10. 2 standard curves were run on each plate. Data below show the mean human IL-10 concentration and the coefficient of variation for each sample (see Table 3). The calculated overall intra-assay coefficient of variation was 3.2%.

Table 3

The mean human IL-10 concentration and the coefficient of variation for each sample

Sample	Experiment	Mean Human IL-10 Concentration (pg/ml)	Coefficient of Variation (%)
1	1	197	0.7
	2	189	5.6
	3	207	1.1
2	1	112	2.0
	2	101	6.6
	3	101	3.1
3	1	45	1.9
	2	46	0.7
	3	45	3.6
4	1	26	1.9
	2	25	2.2
	3	23	4.3
5	1	16	10.1
	2	18	1.2
	3	15	2.6

13.2.2 Inter-assay

Assay to assay reproducibility within one laboratory was evaluated in 3 independent experiments. Each assay was carried out with 6 replicates of 5 serum samples containing different concentrations of human IL-10. 2 standard curves were run on each plate. Data below show the mean human IL-10 concentration and the coefficient of variation calculated on 18 determinations of each sample (see Table 4). The calculated overall inter-assay coefficient of variation was 5.6%.

Table 4

The mean human IL-10 concentration and the coefficient of variation of each sample

Sample	Mean Human IL-10 Concentration (pg/ml)	Coefficient of Variation (%)
1	198	4.6
2	105	6.1
3	46	1.6
4	25	6.2
5	16	9.5

13.3 Spiking Recovery

The spiking recovery was evaluated by spiking 4 levels of human IL-10 into pooled normal serum. Recoveries were determined in 3 independent experiments with 4 replicates each.

The unspiked serum was used as blank in these experiments.

The recovery ranged from 81% to 106% with an overall mean recovery of 97%.

13.4 Dilution Linearity

4 serum samples with different levels of human IL-10 were analysed at serial 2 fold dilutions with 4 replicates each. The recovery ranged from 91% to 115% with an overall recovery of 107% (see Table 5).

Table 5

Sample	Dilution	Expected Human IL-10 Concentration (pg/ml)	Observed Human IL-10 concentration (pg/ml)	Recovery of Expected Human IL-10 Concentration (%)
1	1:2	--	2611	--
	1:4	1305	1276	98
	1:8	638	731	115
	1:16	366	380	104
2	1:2	--	1256	--
	1:4	627	662	106
	1:8	332	368	111
	1:16	184	168	91
3	1:2	--	956	--
	1:4	478	552	116
	1:8	276	301	109
	1:16	150	155	103
4	1:2	--	264	--
	1:4	132	144	109
	1:8	72	82	114
	1:16	41	45	111

13.5 Sample Stability

13.5.1 Freeze-Thaw Stability

Aliquots of serum samples (spiked or unspiked) were stored at -20°C and thawed 5 times, and the human IL-10 levels determined. There was no significant loss of human IL-10 immunoreactivity detected by freezing and thawing.

13.5.2 Storage Stability

Aliquots of serum samples (spiked or unspiked) were stored at -20°C, 2-8°C, room temperature (RT) and at 37°C, and the human IL-10 level determined after 24 h. There was no significant loss of human IL-10 immunoreactivity detected during storage at -20°C, 2-8°C and RT. A significant loss of human IL-10 immunoreactivity (30%) was detected during storage at 37°C after 24 h.

13.6 Comparison of Serum and Plasma

From 2 individuals each, serum as well as citrate and heparin plasma was obtained at the same time and tested for IL-10. Concentrations were not significantly different and therefore all these blood preparations are suitable for use in the assay. It is nevertheless highly recommended to assure the uniformity of blood preparations.

13.7 Specificity

The interference of circulating factors of the immune system was evaluated by spiking these proteins at physiologically relevant concentrations into a human IL-10 positive serum. There was no crossreactivity detected.

13.8 Expected Values

Panels of 40 serum as well as citrate and heparin plasma samples from randomly selected apparently healthy donors (males and females) were tested for human IL-10. The levels measured may vary with the sample collection used. For detected human IL-10 levels see Table 6.

Table 6

Sample Matrix	Number of Samples Evaluated	Range (pg/ml)	% Detectable	Mean of Detectable (pg/ml)
Serum	40	7.9– 12.9	10.0	9.6
Plasma (Citrate)	40	nd*	0	--
Plasma (Heparin)	40	8.1 – 12.5	5.0	10.3

* n.d. = non-detectable, samples measured below the lowest standard point are considered to be non-detectable.

13.9 Calibration

The immunoassay is calibrated with highly purified recombinant human IL-10 which has been evaluated against the international Reference Standard NIBSC 93/722 and has been shown to be equivalent. NIBSC 93/722 is quantitated in International Units (IU), 1IU corresponding to 200 pg human IL-10.

14 REAGENT PREPARATION SUMMARY

14.1 Wash Buffer (1x)

Add **Wash Buffer Concentrate** 20x (50 ml) to 950 ml distilled water.

Number of Strips	Wash Buffer Concentrate (ml)	Distilled Water (ml)
1 - 6	25	475
1 - 12	50	950

14.2 Assay Buffer (1x)

Add **Assay Buffer Concentrate** 20x (5 ml) to 95 ml distilled water.

Number of Strips	Assay Buffer Concentrate (ml)	Distilled Water (ml)
1 - 6	2.5	47.5
1 - 12	5.0	95.0

14.3 Biotin-Conjugate

Make a 1:100 dilution of **Biotin-Conjugate** in Assay Buffer (1x):

Number of Strips	Biotin-Conjugate (ml)	Assay Buffer (1x) (ml)
1 - 6	0.03	2.97
1 - 12	0.06	5.94

14.4 Streptavidin-HRP

Make a 1:100 dilution of **Streptavidin-HRP** in Assay Buffer (1x):

Number of Strips	Streptavidin-HRP (ml)	Assay Buffer (1x) (ml)
1 - 6	0.06	5.94
1 - 12	0.12	11.88

14.5 Human IL-10 Standard

Reconstitute lyophilized **human IL-10 standard** with distilled water. (Reconstitution volume is stated on the label of the standard vial.)

14.6 Control

Add 300 µl distilled water to lyophilized **control**.

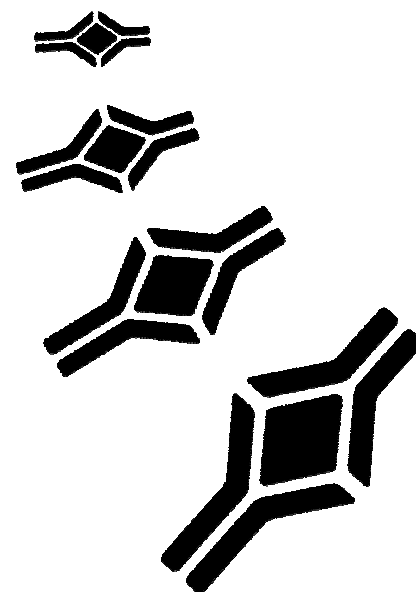
15 TEST PROTOCOL SUMMARY

1. Determine the number of microwell strips required.
2. Wash microwell strips twice with Wash Buffer.
3. Standard dilution on the microwell plate: Add 100 µl Assay Buffer (1x), in duplicate, to all standard wells. Pipette 100 µl prepared standard into the first wells and create standard dilutions by transferring 100 µl from well to well. Discard 100 µl from the last wells.
Alternatively external standard dilution in tubes (see 9.5.1): Pipette 100 µl of these standard dilutions in the microwell strips.
4. Add 100 µl Assay Buffer (1x), in duplicate, to the blank wells.
5. Add 50 µl Assay Buffer (1x) to sample wells.
6. Add 50 µl sample in duplicate, to designated sample wells.
7. Prepare Biotin-Conjugate.
8. Add 50 µl Biotin-Conjugate to all wells.
9. Cover microwell strips and incubate 2 hours at room temperature (18° to 25°C).
10. Prepare Streptavidin-HRP.
11. Empty and wash microwell strips 3 times with Wash Buffer.
12. Add 100 µl diluted Streptavidin-HRP to all wells.
13. Cover microwell strips and incubate 1 hour at room temperature (18° to 25°C).
14. Empty and wash microwell strips 3 times with Wash Buffer.
15. Add 100 µl of TMB Substrate Solution to all wells.
16. Incubate the microwell strips for about 10 minutes at room temperature (18° to 25°C).
17. Add 100 µl Stop Solution to all wells.
18. Blank microwell reader and measure colour intensity at 450 nm.

Note: If instructions in this protocol have been followed samples have been diluted 1:2 (50 µl sample + 50 µl Assay Buffer (1x)), the concentration read from the standard curve must be multiplied by the dilution factor (x 2).

NOTES





HEADQUARTERS: BioVendor Laboratorní medicína, a.s.	CTPark Modrice Evropska 873	664 42 Modrice CZECH REPUBLIC	Phone: +420-549-124-185 Fax: +420-549-211-460	E-mail: info@biovendor.com Web: www.biovendor.com
EUROPEAN UNION: BioVendor GmbH	Im Neuenheimer Feld 583	D-69120 Heidelberg GERMANY	Phone: +49-6221-433-9100 Fax: +49-6221-433-9111	E-mail: infoEU@biovendor.com
USA, CANADA AND MEXICO: BioVendor LLC	1463 Sand Hill Road Suite 227	Candler, NC 28715 USA	Phone: +1-828-670-7807 +1-800-404-7807 Fax: +1-828-670-7809	E-mail: infoUSA@biovendor.com
CHINA - Hong Kong Office: BioVendor Laboratories Ltd	Room 4008 Hong Kong Plaza, No.188	Connaught Road West Hong Kong, CHINA	Phone: +852-2803-0523 Fax: +852-2803-0525	E-mail: infoHK@biovendor.com
CHINA – Mainland Office: BioVendor Laboratories Ltd	Room 2405 YiYa Tower TianYu Garden, No.150	Lihe Zhong Road Guang Zhou, CHINA	Phone: +86-20-8706-3029 Fax: +86-20-8706-3016	E-mail: infoCN@biovendor.com